

General Safety Information

- To reduce the risk of death, personal injury or property damage from fire, electric shock, falling parts, cuts/abrasions, and other hazards read all warnings and instructions included with and on the fixture box and all fixture labels.
- Before installing, servicing, or performing routine maintenance upon this equipment, follow these general precautions.
- Commercial installation, service and maintenance of luminaires should be performed by a qualified licensed electrician.
- For Residential installation: If you are unsure about the installation or maintenance of the luminaires, consult a qualified licensed electrician and check your local electrical code.
- **DO NOT INSTALL DAMAGED PRODUCT!**
- This fixture is intended to be connected to a properly installed and grounded UL listed junction box.



Picture is for illustration purposes only. Your model may vary.



WARNING: RISK OF ELECTRICAL SHOCK

- Turn off electrical power at fuse or circuit breaker box before wiring fixture to the power supply.
- Turn off the power when you perform any maintenance.
- Verify that supply voltage is correct by comparing it with the luminaire label information.
- Make all electrical and grounded connections in accordance with the National Electrical Code and any applicable local code requirements.
- All wiring connections should be capped with UL approved wire connectors.

CAUTION: RISK OF INJURY

- Wear gloves and safety glasses at all times when removing luminaire from carton, installing, servicing or performing maintenance.
- Avoid direct eye exposure to the light source while it is on.
- Account for small parts and destroy packing material, as these may be hazardous to children.

CAUTION: RISK OF FIRE

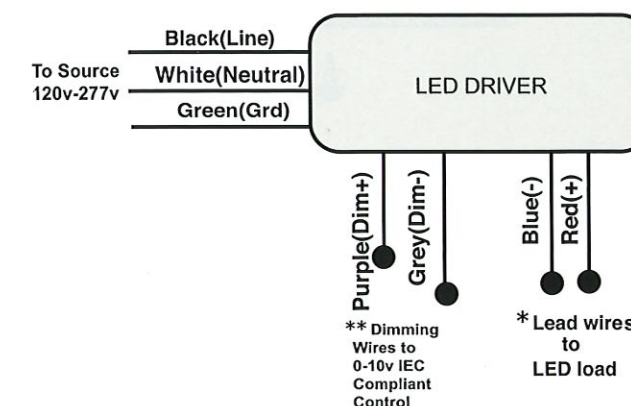
- Keep combustible and other materials that can burn away from luminaire and lamp/lens.
- MIN 90°C SUPPLY CONDUCTORS.

General Wiring Diagram

CAUTION:
Turn off electrical power at fuse or circuit breaker box before wiring fixture to the power supply.

Connecting panels to AC source supply:

All units must be individually connected to the AC supply. (120-277 VAC)
Black = Line
White = Neutral
Green = Ground



Operating characteristic

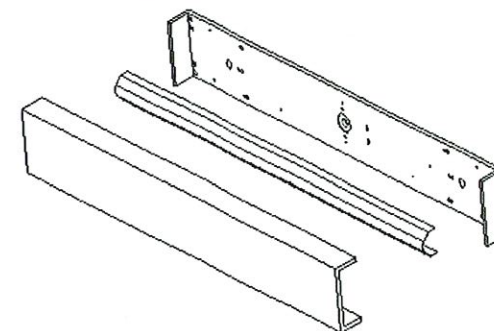
Voltage input: 120-277V 50/60 Hz
Operating temp: -4 F to 104F

**Consult with dimmer control manufacturer's wiring instructions and see below for optional wiring configurations

Mounting Instructions

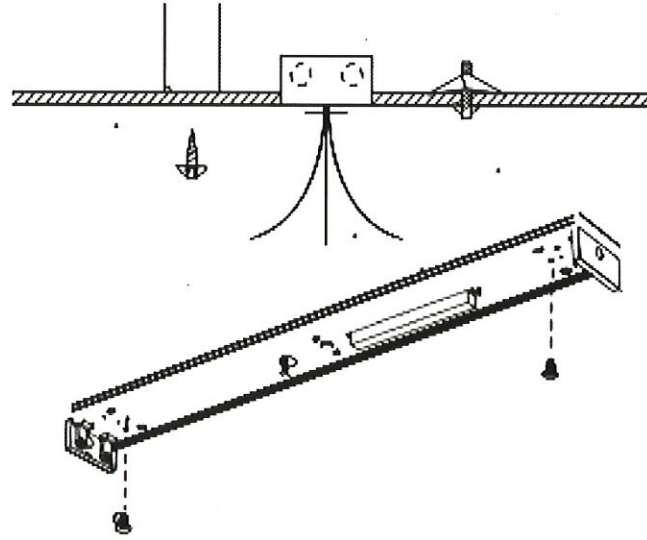
Before installation, ensure if power supply is disconnected. Cables must be connected in accordance to instruction and proper standing rules.

1. Remove lens and wire way cover. Slide lens toward one end while lifting opposite end clear of fixture housing. If not clearing easily, ensure lens has slide past retainer clip inside the end cap.
2. Next squeeze both sides of wire cover until they clear metal tabs and remove cover.

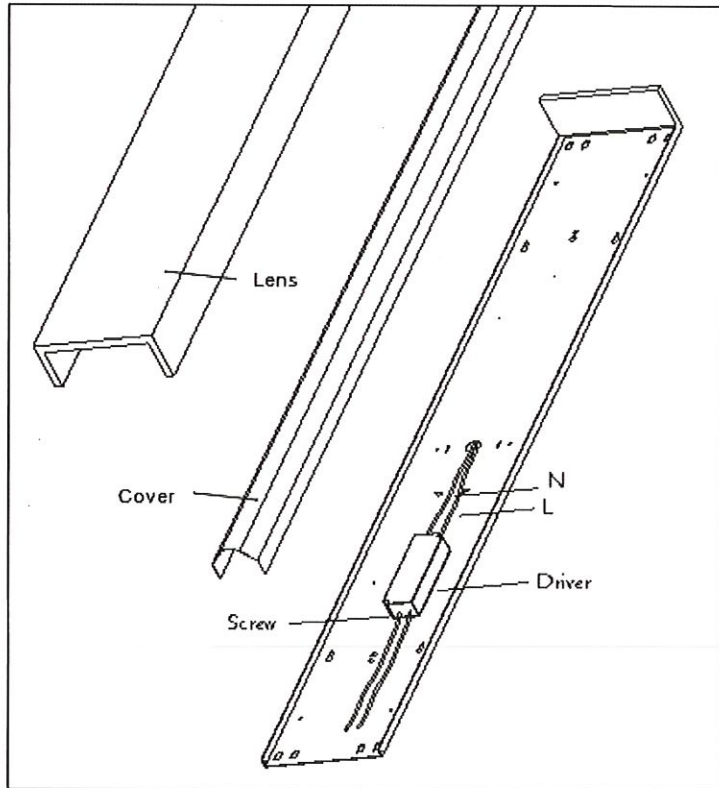


Mounting Instructions-Cont'd

3. Select wiring access point and remove appropriate knock.
4. Select installation point and locate studs



5. For rear access points feed wires through hole
6. Using 1" mounting screw or 3"x3/16 toggle bolts secure fixture in place using keyhole slots provided.



7. After making wiring connections, replace wire cover and diffuser into place
8. Restore power to branch circuit and energize the luminaire